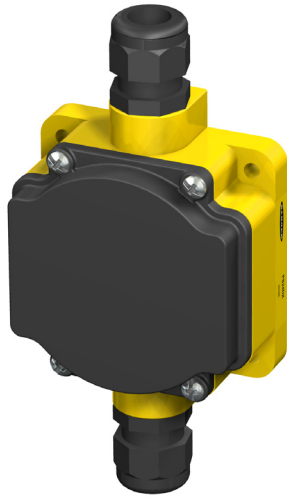




SureCross™ PS24DX DX80 Power Supply

24V dc, 200 mA Power Supply



Features

- Accepts universal input voltage (85–264V ac, 110–330V dc) and provides 24V dc output
- Provides reliable power for dc-powered sensors and wireless products
- Standard DX80 mounting
- Protected against input and output over-voltage and over-current transients
- Thermal shutdown protected

Specifications

Input Voltage	100 / 240V ac (84–264V ac, 110–340V dc)
Input Frequency	50 / 60 Hz (47–440 Hz)
Input Current (110 / 240V ac)	150 mA / 80 mA
Inrush Current (120 / 240V ac, 150mA load)	20 A / 40 A
Output Voltage	24V dc
Output Current	200 mA; Note 1
Output Power	5 W
Holdup Time	10 milliseconds
Line Regulation	<1%
Load Regulation	<1%
Temperature Regulation	<1%
Efficiency	77%
Leakage Current (110 / 240V ac)	0.5 mA / 0.75 mA
Indicators	Green LED on solid; Power ON
Construction	Polycarbonate
Wire Gauge	28–12 AWG
Operating temperature	–20 to 60 °C
Environmental Rating	IEC IP67, NEMA 6; Note 2
Application Notes	1. Derate maximum output current 10 mA/°C above 50°C 2. Meets environmental ratings if cover screws are tightened and provided strain reliefs are used
Certifications	Pending

⚠ WARNING . . . Not To Be Used for Personnel Protection

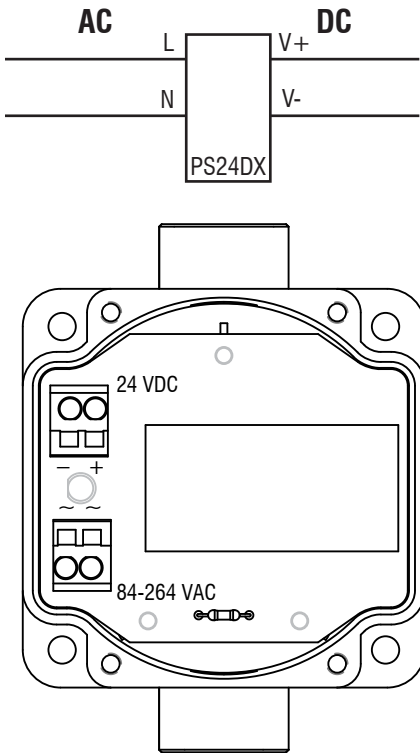
Never use these products for personnel protection. Doing so could lead to serious injury or death.

These devices do NOT include the self-checking redundant circuitry necessary to allow their use in personnel safety applications. A device failure or malfunction can cause either an energized or de-energized output condition. Consult your current Banner Safety Products catalog for safety products that meet OSHA, ANSI, and IEC standards for personnel protection.

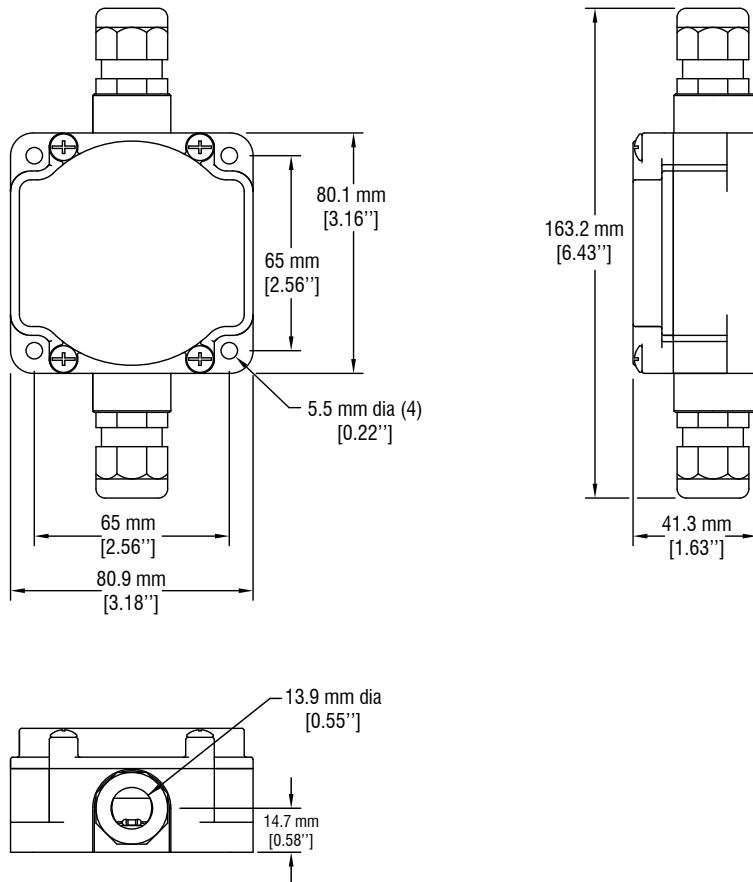


SureCross™ PS24DX DX80 Power Supply

Hookup



Dimensions



The manufacturer does not take responsibility for the violation of any warning listed in this document.



CAUTION . . .
Make no modifications to this product.

Any modifications to this product not expressly approved by Banner Engineering could void the user's authority to operate the product. Contact the Factory for more information.

Always use lightning arrestors/surge protection with all remote antenna systems to avoid invalidating the Banner Engineering Corp. warranty. No surge protector can absorb all lightning strikes. Do not touch the SureCross device or any equipment connected to the SureCross device during a thunderstorm.

WARRANTY: Banner Engineering Corp. warrants its products to be free from defects for one year. Banner Engineering Corp. will repair or replace, free of charge, any product of its manufacture found to be defective at the time it is returned to the factory during the warranty period. This warranty does not cover damage or liability for the improper application of Banner products. This warranty is in lieu of any other warranty either expressed or implied.

All specifications published in this document are subject to change. Banner reserves the right to modify the specifications of products, prior to their order, without notice. Banner Engineering reserves the right to update or change documentation at any time. For the most recent version of any documentation, please refer to our website: www.bannerengineering.com. © 2009 Banner Engineering Corp. All rights reserved.